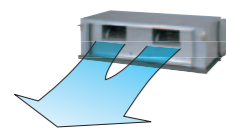


# High Static Pressure Duct

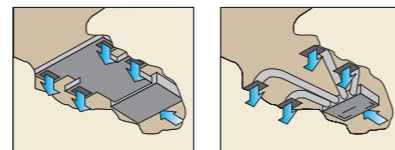


Design also corresponding to high static pressure

Model: ARY90TL



MAX.  
300<sub>pa</sub>



## Specifications

| Model No.                          | Indoor unit     |                   | ARY60UU      | ARY90TL      |
|------------------------------------|-----------------|-------------------|--------------|--------------|
|                                    | Outdoor unit    |                   | AOY60UU      | AOY90TL      |
| Power Source                       | V/Ø/Hz          |                   | 400/3/50     | 380-415/3/50 |
| Capacity                           | Cooling         | kW                | 16.50        | 24.80-25.40  |
|                                    | Heating         | kW                | 19.50        | 28.90-29.50  |
| Input Power                        | Cooling/Heating | kW                | 6.06/5.54    | 12.2/12.2    |
| EER - Energy Class                 | Cooling         | W/W               | 2.72         | 2.03-2.03    |
|                                    | Heating         |                   | 3.52         | 2.37-2.36    |
| COP - Energy Class                 | Cooling         |                   | 12.2/12.2    | 19.5/19.5    |
|                                    | Heating         |                   | 10.2/9.8     | 19.5/19.5    |
| Running Current                    | Cooling/Heating | A                 | 10.2/9.8     | 19.5/19.5    |
| Moisture Removal                   |                 | l/h               | 4.0          | 7.5          |
| Noise (Indoor)                     | Cooling         | H/M/L             | 49/45/42     | 50           |
|                                    | Heating         |                   | 54           | 59           |
| Noise (Outdoor)                    | Cooling         |                   | 54           | 59           |
|                                    | Heating         |                   | 59           | 59           |
| Airflow Rate (High)                | Indoor/Outdoor  | m <sup>3</sup> /h | 3500/6300    | 4300/9800    |
| Net Dimension<br>H x W x D         | Indoor          | mm                | 400x1050x500 | 450x1550x700 |
|                                    |                 | kg(lbs)           | 50(110)      | 85(187)      |
|                                    |                 | Outdoor           | mm           | 1290x900x330 |
| Piping Connections (Small / Large) | Outdoor         | kg(lbs)           | 118(260)     | 245(540)     |
|                                    |                 | mm                | 9.52/19.05   | 12.70/28.58  |
|                                    |                 | m                 | 50           | 50           |
| Max Pipe Length (Chargeless)       |                 |                   | 50           | 50           |
| Height Difference                  |                 |                   | 30           | 30           |
| Operation Range                    | Cooling         | °CDB              | 0~43         | 0~46         |
|                                    | Heating         |                   | -10~24       | -10~21       |
| Refrigerant                        |                 |                   | R410A        | R407C        |

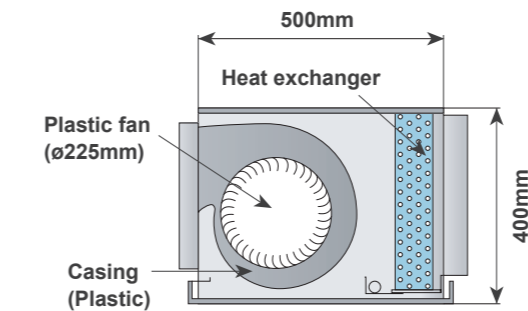
\*The measurement static pressure of ARY60UU is 100Pa and ARY90TL is 196Pa.

## Low noise

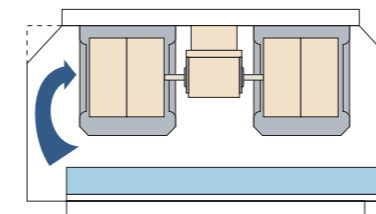
Turbulent air flow is reduced by cutting off the corners of conventional indoor unit front panel and fan case

Low noise is realized by adopting plastic case, plastic fan.

## Plastic fan [45dB(A)] (ARY60UU)



(ARY60UU)



\* Model : Material (At 100Pa :  
Actual noise measurement value)

## Pursuance of amenity performance

Various remote controllers and sensors can be selected

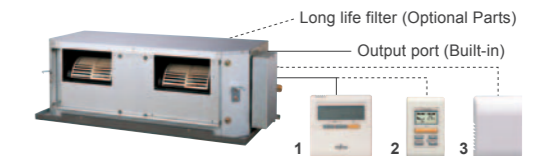
### 1.Wired Remote Controller with Thermo Sensor

- Room temperature sensor selection
- WEEKLY timer
- Temperature SET BACK timer
- Group control system
- Child lock
- Dual remote controllers
- <Optional parts>
- AUTO restart

- Energy saving
- Auto changeover (for heating)
- Hot start (for heating)

### 2.Simple Remote Controller (Optional Parts)

### 3.Remote Sensor (Optional Parts)



## Optional parts

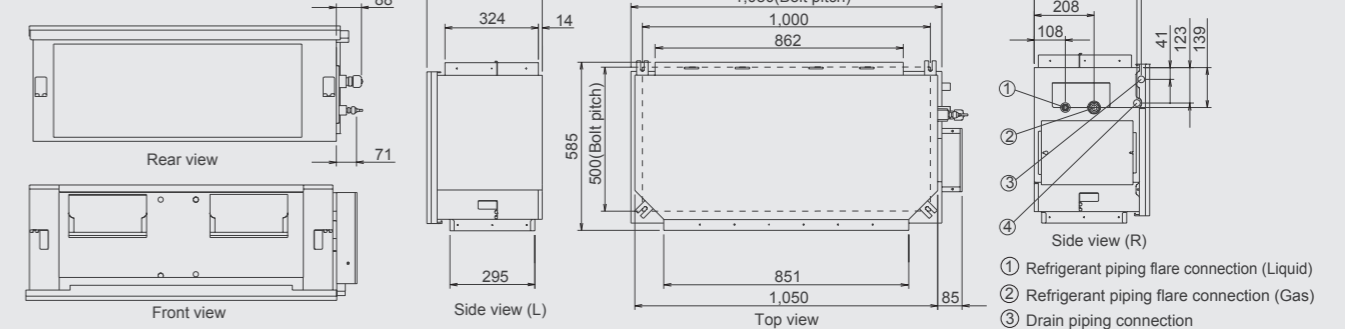
Long-Life Filter: UTD-LF60KA (For ARY60UU)

Remote Sensor Unit: UTD-RS100 / UTY-XSZX

External Control Set: UTD-ECS5A (For ARY60UU)

## Dimensions

Model: ARY60UU



Model: ARY90TL

