

Floor/Ceiling Universal



Flexible installation

Example for floor installation

Floor console



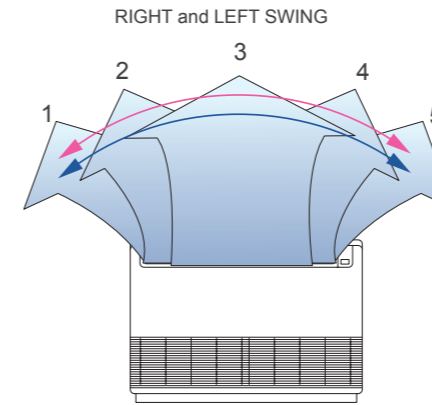
Example for ceiling installation

Under ceiling

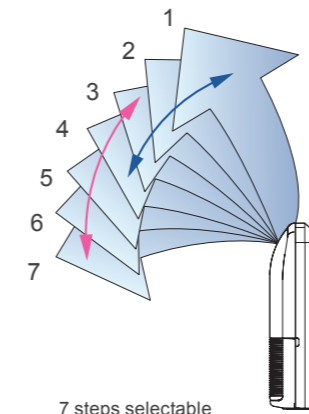


Double auto swing

A combination of up/down and right/left directional swing allows three-dimensional air direction control.



UP and DOWN SWING



7 steps selectable

Super vane

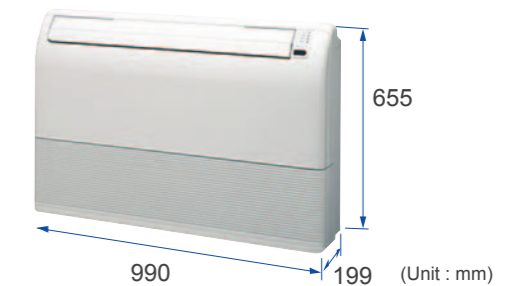
Double Louvre Super vane with newly developed special configuration boosts airflow sending cool air quickly to every corner of the room.

Auto-closing louvre

When operation is stopped, the louvres will automatically close. (This function is available on all non-ducted models.)

Compact design

Symmetrical, slim and compact design.

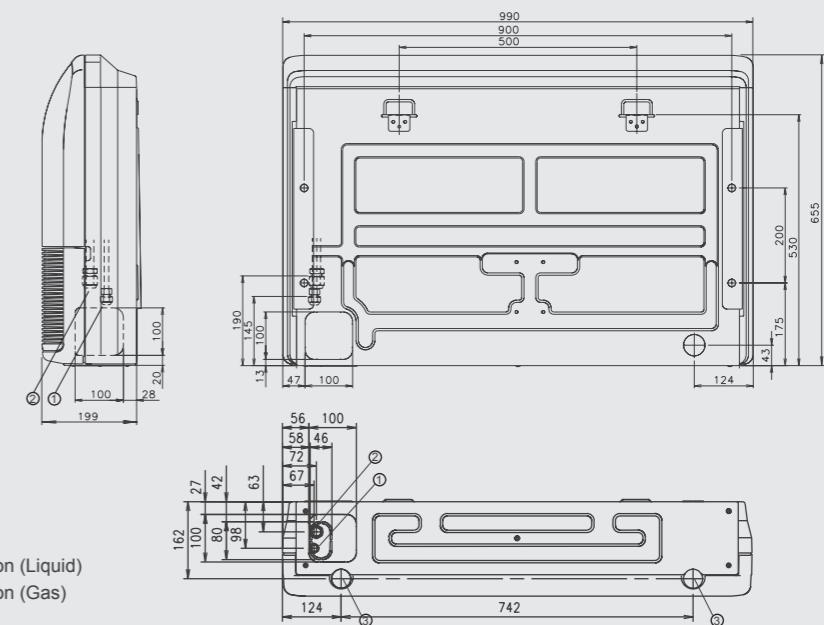


Specifications

Model No.	Indoor unit		ABY14UB	ABY18UB	ABY24UB
	Outdoor unit		AOY14UB	AOY18UB	AOY24UB
Power Source	V/Ø/Hz		230/1/50	230/1/50	230/1/50
Capacity	Cooling	kW	4.00	5.40	6.50
	Heating	kW	4.70	6.00	7.40
Input Power	Cooling/Heating	kW	1.42/1.35	1.9/1.85	2.42/2.30
EER - Energy Class	Cooling	W/W	2.82-C	2.84-C	2.69-D
COP - Energy Class	Heating		3.48-B	3.24-C	3.22-C
Running Current	Cooling/Heating	A	6.3/6.0	8.6/8.3	10.8/10.3
Moisture Removal		l/h	1.5	2.0	2.5
Noise (Indoor)	Cooling	H/M/L	40/37/34	46/41/37	49/45/41
	Cooling		49	52	53
Airflow Rate (High)	Indoor/Outdoor	m³/h	640/1600	780/3200	880/3200
Net Dimension H x W x D	Indoor	mm	199x990x655	199x990x655	199x990x655
		kg(lbs)	28(62)	28(62)	28(62)
	Outdoor	mm	530x750x250	650x830x320	650x830x320
		kg(lbs)	35(77)	52(115)	59(130)
Piping Connections (Small / Large)		mm	6.35/12.70	6.35/15.88	9.52/15.88
Max Pipe Length (Chargeless)		m	15	20	20
Height Difference			8	8	8
Operation Range	Cooling	°CDB	0~43	0~43	0~43
	Heating		-6~24	-6~24	-6~24
Refrigerant			R410A	R410A	R410A

Dimensions Models: ABY14UB / ABY18UB / ABY24UB

(Unit : mm)



- ① Refrigerant piping flare connection (Liquid)
- ② Refrigerant piping flare connection (Gas)
- ③ Drain piping connection